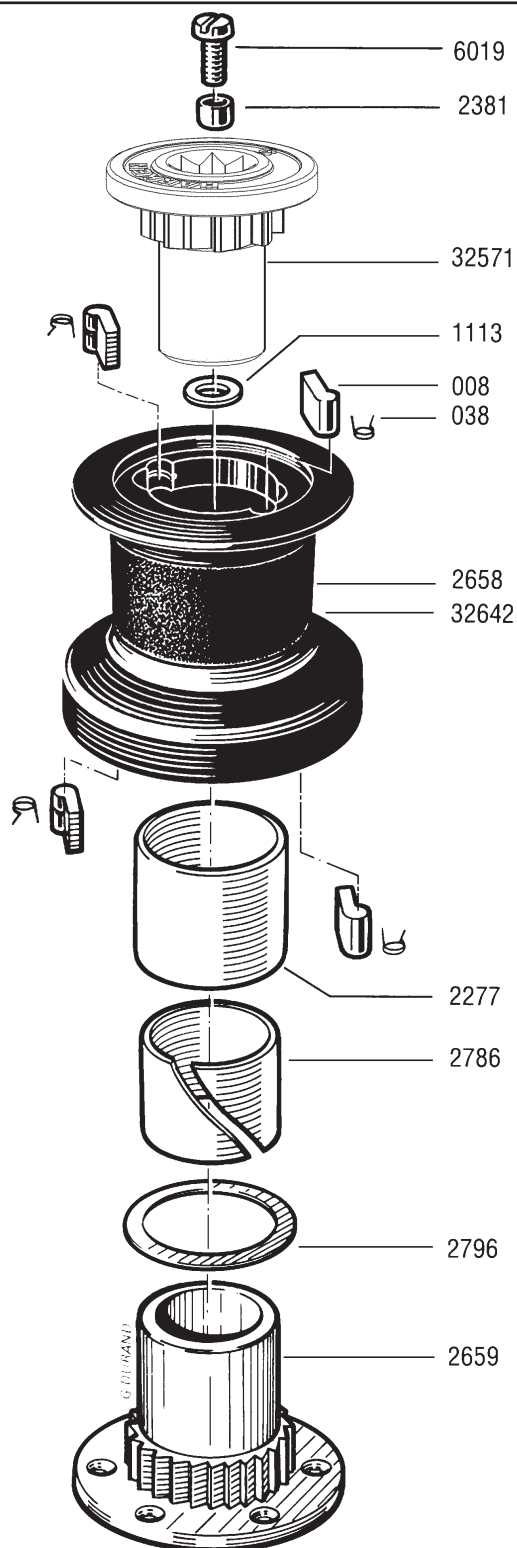


HARKEN®**Winch Parts
Installation
Service****Required Tools**

Screwdriver
 Small Knife
 Brush
 Rags
 Solvent
 Oil
 Grease

Parts List

008	Pawl
038	Pawl Spring
1113	Washer
2277	Plastic Bearing
2381	Stainless Steel Bushing
2658	Aluminum Drum
2659	Center Stem
2786	Split Bearing
2796	Stainless Steel Washer
6019	Top Screw
32571	Ratchet Head
32642	Bronze Drum

Suggested Service Kits

BK4512	10	008 Pawls
	10	038 Springs
BK4513	100 ml	Grease

When ordering parts, please include a "B" before each number (i.e. B006).

Service winch before the sailing season begins and once during.

■ Installing Winch

- Make sure mounting surface is flat
- Check sheet entry angle. Should be at least 8° (see drawing)
- Open winch
- Position winch on deck and mark holes
- Remove winch and drill holes
- Mount using six (6) 1/4" (6 mm) flathead machine screws
- Apply bedding compound and bolt winch to boat
- Clean excess bedding compound from base drain holes
- Lubricate and close winch

■ Opening Winch

- Remove top screw
- Lift off drum

■ Servicing Winch

- Remove pawls and springs – service as below
- Clean all parts with rags and solvent
- Lubricate bearing lightly with oil
- Grease teeth on center stem and ratchet head
- Replace pawls and springs and lubricate lightly with oil
- Reassemble and close winch

■ Servicing Pawls

- Catch spring with knife and hold against pawl
- Lift out pawls
- Clean and check for wear
- Lubricate pawls using oil
- Place spring against pawl with straight leg against pawl
- Hold spring closed and slip pawl into pawl socket

Opening Winch

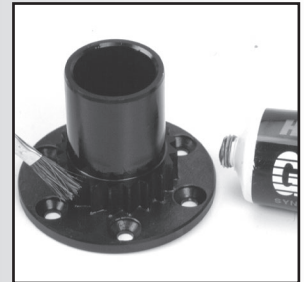


Use screwdriver to open winch

Servicing Winch

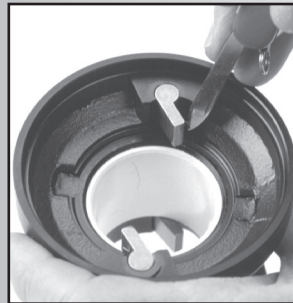


Clean all parts with solvent.

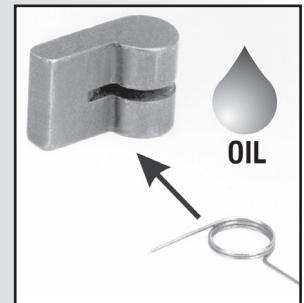


Grease gear teeth lightly.

Servicing Winch

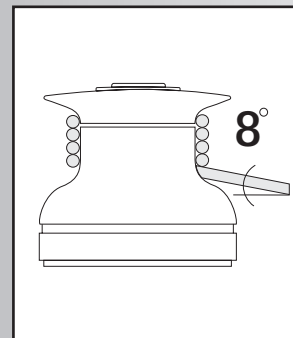


Use knife to free captive spring.



Insert spring with straight leg against pawl. Use oil for lubrication.

Fitting on Boat



Sheet angle entry must be at least 8°.

4460/10-04

HARKEN®

USA: 1251 E. Wisconsin Ave., Pewaukee, WI 53072 USA • Tel: (262) 691-3320 • Fax: (262) 691-3008 • Web: harken.com • E-mail: harken@harken.com
ITALY: Via Della Cerca, 12/14, 22070 Lurago Marinone, Como, Italy • Fax: (39) 031.3520031 • Tel: (39) 031.3523511 • Web: harken.it • E-mail: info@harken.it

