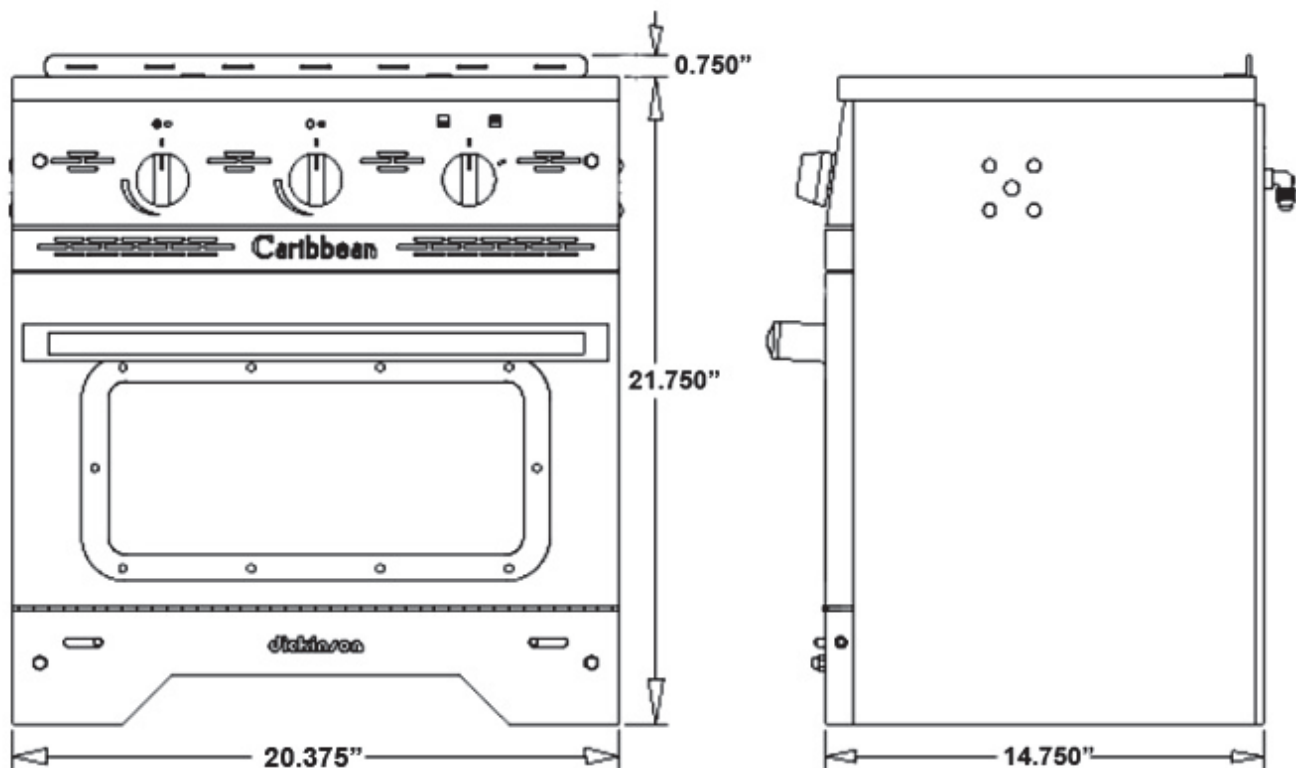
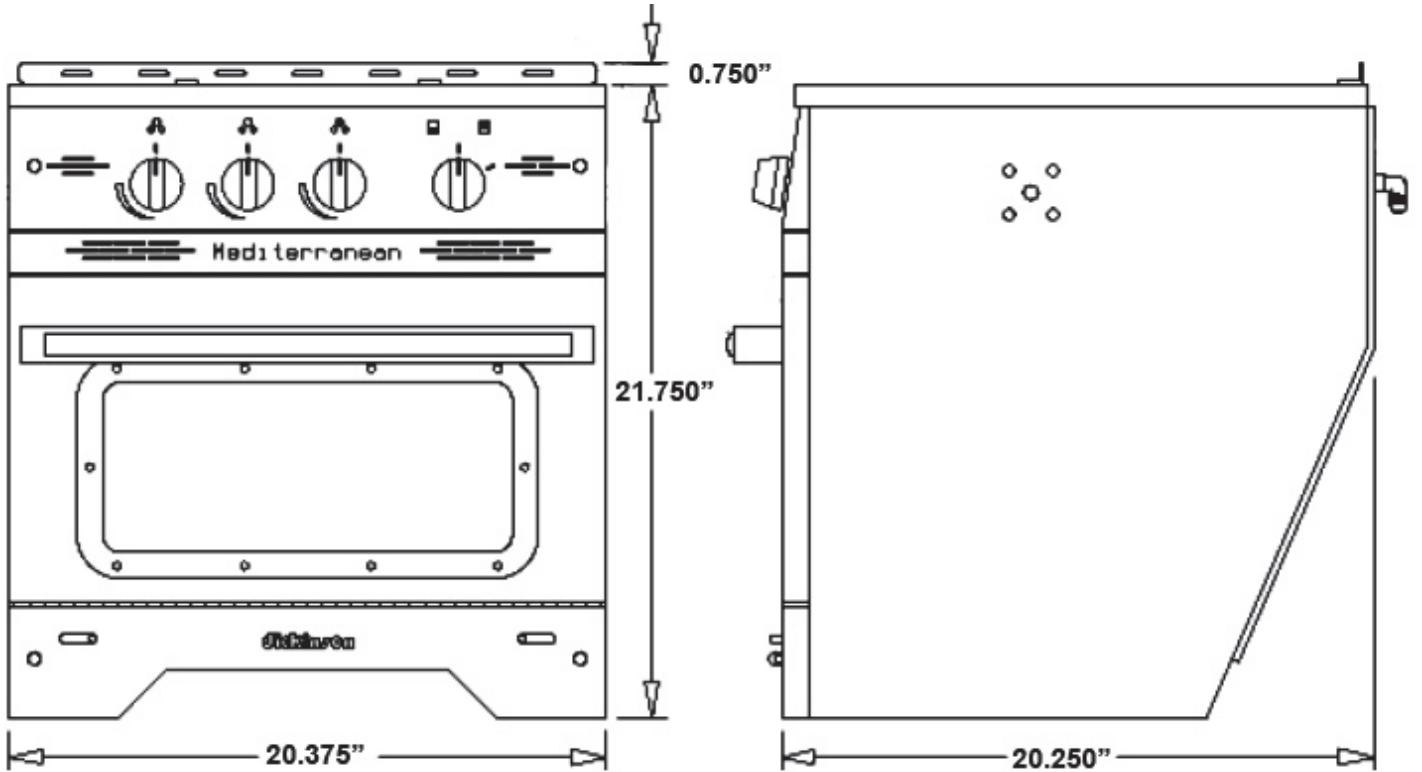


Standard Cutout

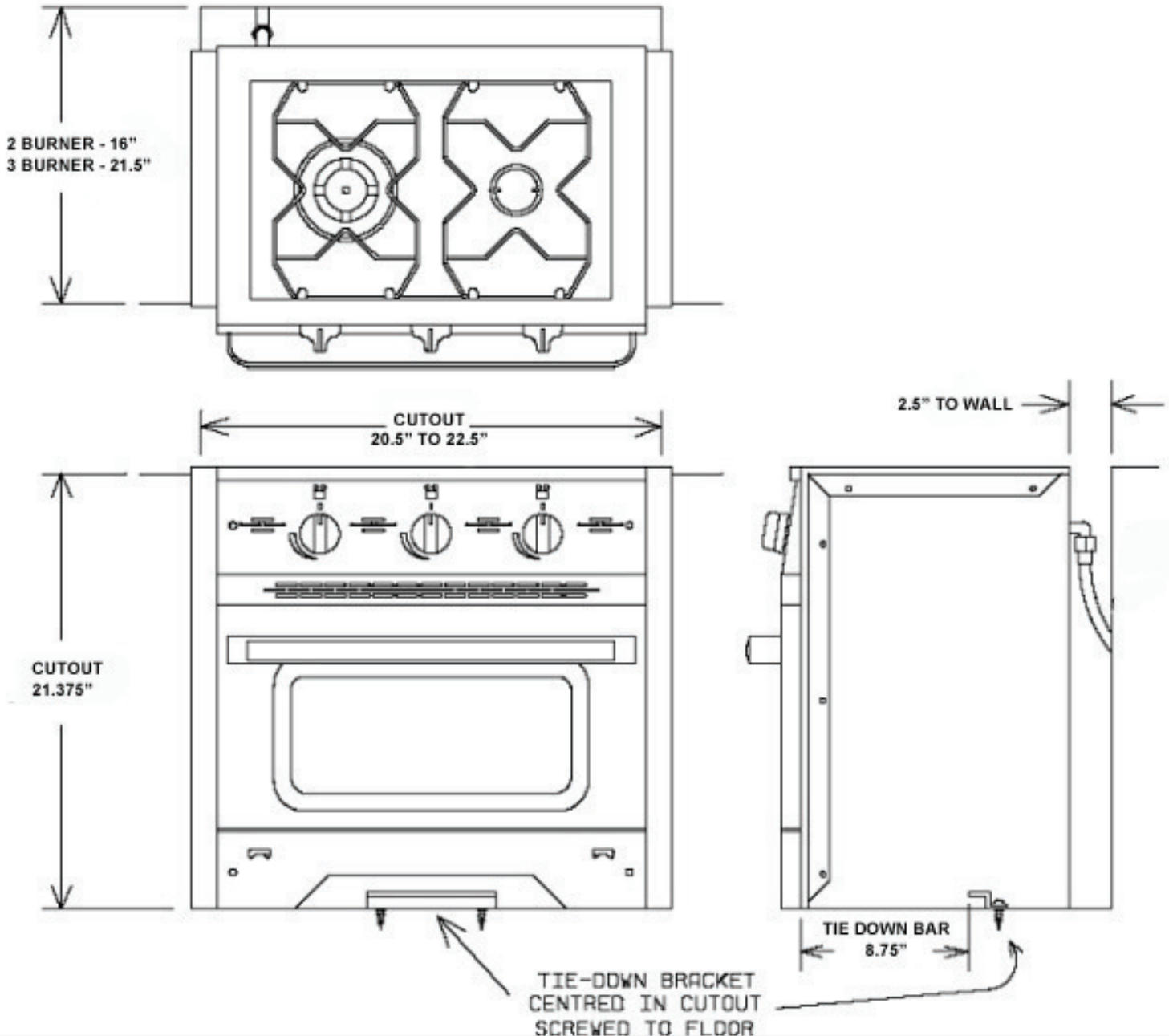
If installing your Mediterranean or Caribbean propane stove into a cutout, the cutout needs to be a minimum of 20.5" wide for either stove and 22" deep for the Mediterranean or 16.5" for the Caribbean. A cutout is not necessary as the stove can be freestanding. Once mounted the stove needs to be secured with the tie down bar and two screws in the front below the door.



Built In Kit Cutout

The built in kit is designed to give your stove that pre-existing "built-in" look. There are three different ways to install the kit. Please note the cutout width below that applies to your application.

- 1) The brackets can be mounted on the counter top so that they sit $\frac{3}{8}$ " higher than the rest of the counter top. Cutout width for this install would be 20.5" to 22.25".
- 2) The brackets can be mounted to the sides of the cabinets so that they are level with the counter top. Cutout width for this install would be minimum 22.5" wide.
- 3) The brackets can be mounted to the sides of the stoves so that they are level with the stove top. Cutout width for this install would be 20.5" to 22.25".

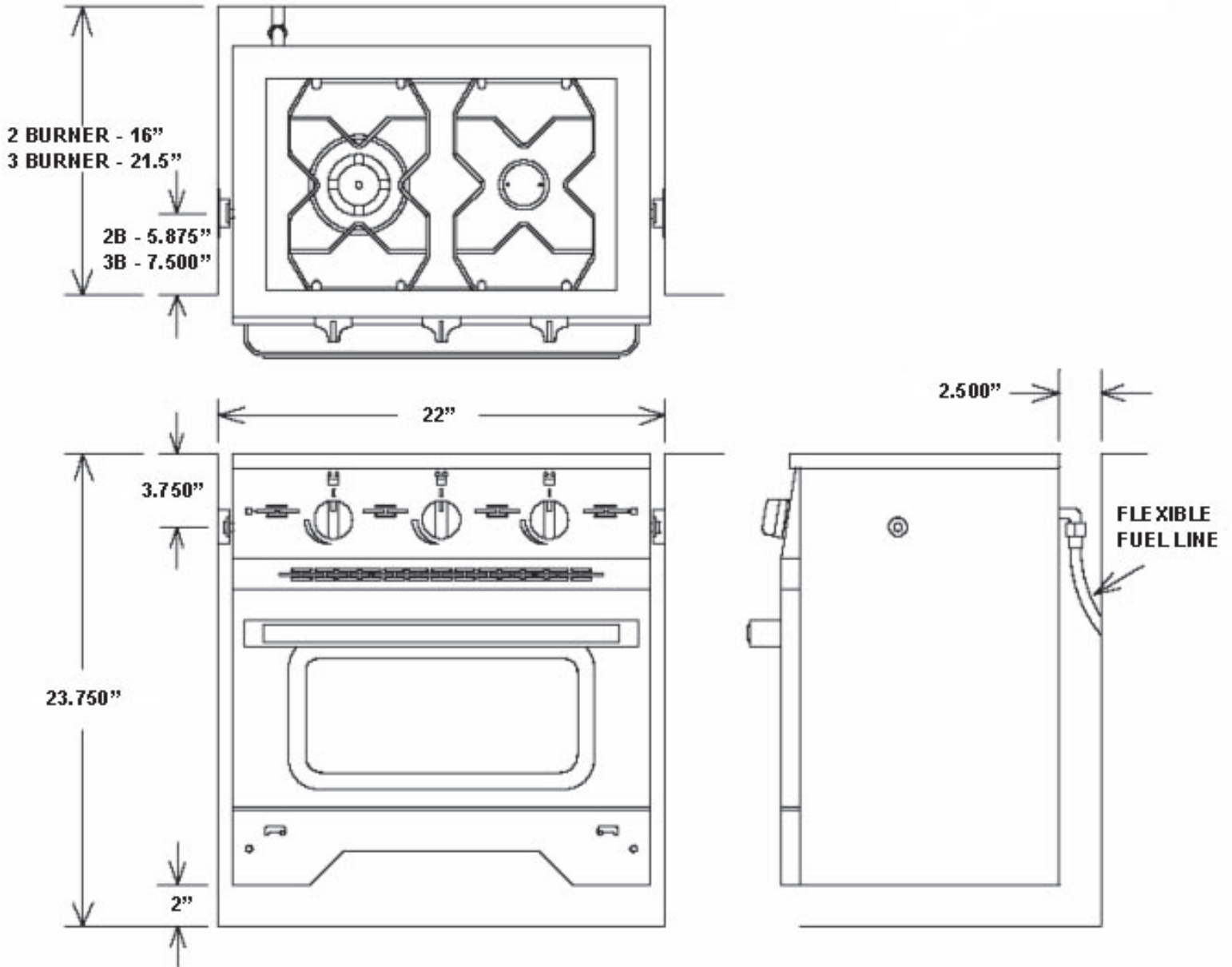


Built In Kit Part #
Caribbean - 26-000
Mediterranean - 26-001

Gimbal Cutout

To install the stove on a gimbal you would need to locate the proper area to mount the gimbal brackets to allow the stove to swing freely with no obstruction. To do this you would need to make a cardboard template of the side of the stove and pierce it where the mounting bolt would screw in. Swing the stove from this hole to visualize the arc of the stove and identify the proper gimbal mounting points. The minimum cutout width is 22" and if your cutout is too wide you can place shims underneath the gimbal mounting brackets to close the gap.

Be sure to adhere to the proper clearances and to allow for enough slack on the propane line to accommodate the swinging.



Gimbal Kit Part # - 26-003