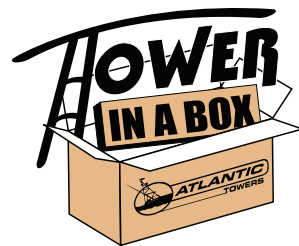


Atlantic Towers "Tower In a Box"



Atlantic Towers "Tower in a Box" product line is designed to deliver recreational marine structures that equal or exceed custom builders quality standards with the convenience of prompt availability and the value of low pricing made possible by volume production.



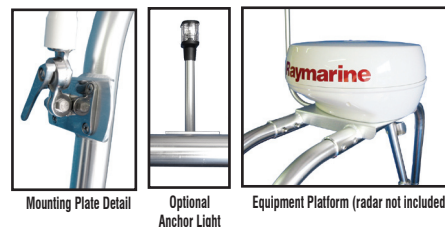
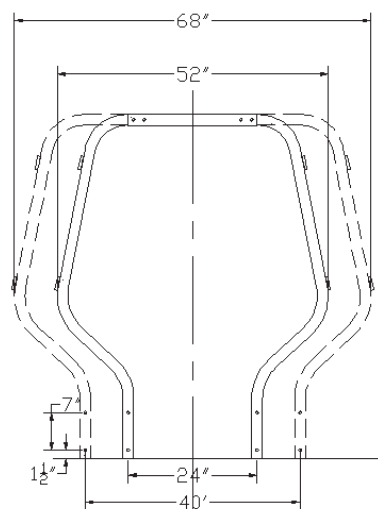
Every "Tower in a Box" structure or accessory:

- Is made from the finest marine grade aluminum extrusions.
- Is finished in durable salt resistant anodizing applied after a through chemical cleaning and fine spiral finishing.
- Comes complete with our custom manufactured mounting systems machined from solid billet aluminum.
- Includes pre-drilled aluminum backing plates and all stainless steel bolts and fasteners required for most installations.
- * Carries our 5-Year Structural Warranty (2 years outside N. America). See website for full warranty details.

Structures for Inflatables

Atlantic Tower's new Transom Mounted Arch for Inflatables features a proprietary telescoping design that allows adjustment to fit transom of nearly any Inflatable. It is built from high strength welded frame of schedule 40 marine grade aluminum pipe and is finished in durable salt resistant bright clear anodizing. The Inflatable Arch has the appearance and strength of a custom welded unit when installed on your boat and includes four mounting plates (2 per side) which will accommodate antennas, navigation lights and other gear.

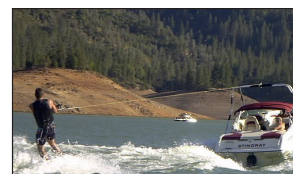
- Adjustable to fit transom of nearly any Inflatable
- All Hardware, backing plates and mounting bolts included
- TIG Welded Anodized Aluminum Pipe Nearly 2" in Dia.
- Cables and Wiring run inside the frame
- Four Transom mounting points
- Boxed for convenient delivery



Model	Description
AS262/62-4	Transom Mounted Arch for Inflatables
AS262/62-4AR	Transom Mounted Arch for Inflatables with All Around White Nav Light
AS262/62-7	Transom Mounted Arch for Inflatables with Equipment Platform
AS262/62-7AR	Transom Mounted Arch for Inflatables with Equipment Platform and All Around White Nav Light
TTS6162/55	Trampoline T-Top with Special leg configuration for Rigid Inflatable Boats
AS265/69-7	Four point mounting with adjustable bases for Rigid Inflatables with molded glass aft deck area (not pictured, see web site for info) (See www.atlantictowers.com for tech specs)

Air Tower Wakeboard Arch

The Air Tower™ II & III are designed specifically for the recreational rider, and adaptable to a wide range of family runabouts and bowriders, Atlantic Towers 26 years of tower building experience brings you the finest aftermarket universal fit wakeboarding tower you can buy. The Air Tower™ is designed specifically for boats that are not specially reinforced for tower mounting. Our patented adjustable fairing pads allow simple and secure mounting. The Air Tower III features Quick Release Pins, and Machined billet Knuckle in the rear leg to allow the Air Tower™ to fold to windshield height on most boats, or be quickly removed without tools. The Air Tower™ accepts all manufacturers accessory board racks, speakers and lights that are sized for 1-1/2" (1.90" o.d.) schedule 40 pipe.



- Unique telescoping design allows independent beam and fore/aft adjustment of legs to fit nearly any boat to 26' and 8'6" beam.
- Schedule 80 Aluminum Anodized Pipe Legs nearly 2" dia. with over 1/3 Greater Wall Thickness Make the Air Tower II Stronger and Stiffer than any competing schedule 40 product.
- Two-tone Black Powder and Bright Anodized Finish give Appearance and Strength of a Custom Welded Unit.
- All hardware, backing plates, mounting bolts and installation video included.
- Expanded rubber handgrips provide cool, non-slip surfaces to hold.

Model	Description
WB201	Air Tower II complete with all mounting hardware for runabout/bowrider installation.*
WB098	Quick Release Stainless Steel Pins for above
WB201-32	Air Tower III with standard Quick Release Pins and Rear Leg Knuckle to allow tower to fold to windshield height. Includes all mounting hardware for typical runabout/bowrider installation.*

* Don't worry - if the standard mounting hardware doesn't work on your boat we will exchange it without charge.

Custom Towers

Atlantic Towers also designs and manufactures Full Custom Hardtops and Arches for boats and yachts 19' to 100' Call us, or visit www.atlantictowers.com for complete information.



Contact Us

For a custom information package, including available options, pricing and photos of an installation similar to yours, phone Atlantic Towers Toll-Free:

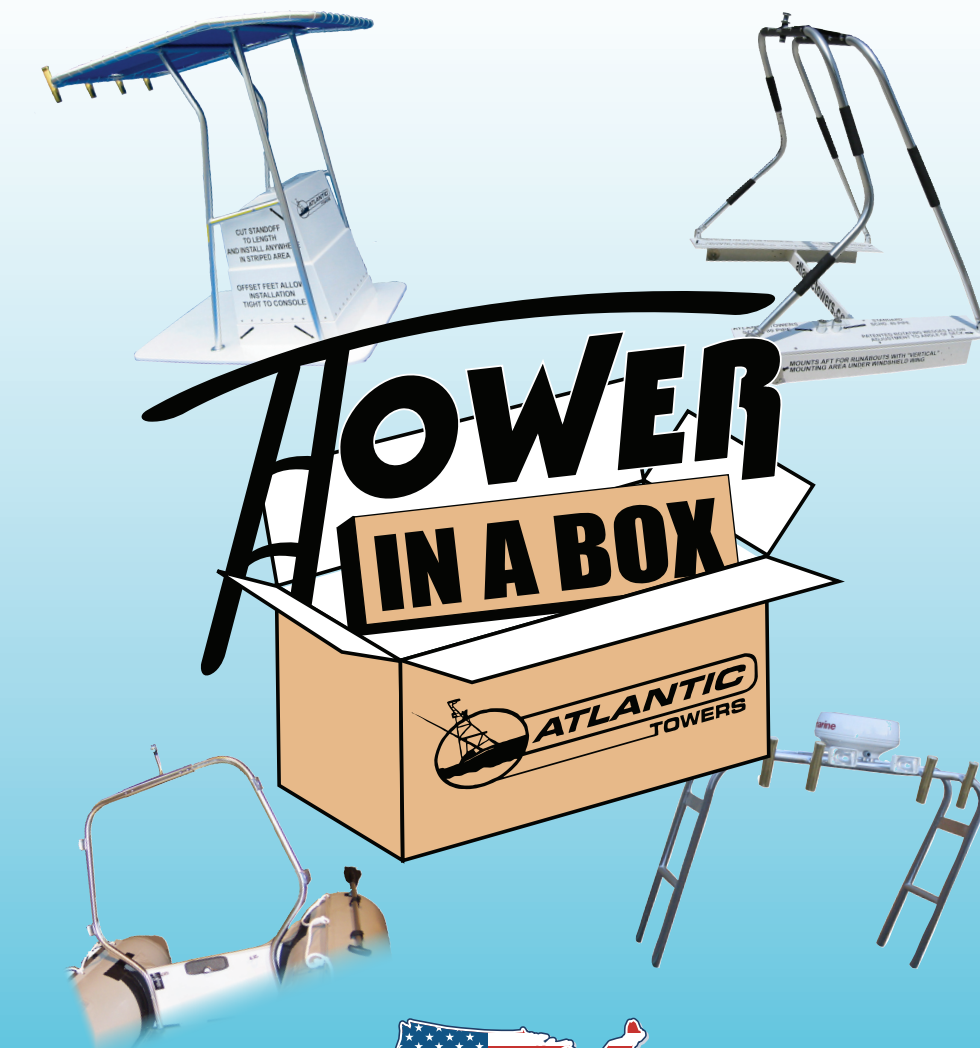
1-800-831-8889



By phone: 732-237-8811
 By fax: 732-237-8800
 By email: sgolden@atlantictowers.com
 By mail: Box "D", Bayville, NJ 08721
 Or visit our web site at: www.atlantictowers.com

Prices and specifications subject to change. Shipping and handling is an additional charge. A number of Atlantic Towers' products are covered by one or more U.S. Patents.

Available Through:



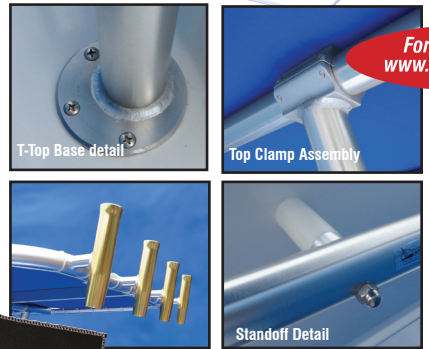
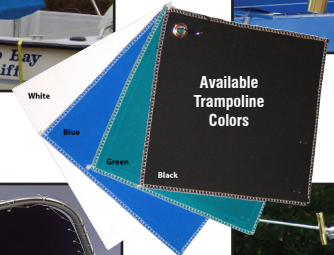
Atlantic Towers puts 27 years of tower building experience into bringing you quality anodized aluminum pipe structures you can have quickly and easily. Each Atlantic "Tower in a Box" product adjusts easily to "custom fit" to your boat, before being bolted permanently in place - No Welding Required! And every Atlantic "Tower in a Box" carries our 5-Year Structural Warranty.*

www.atlantictowers.com

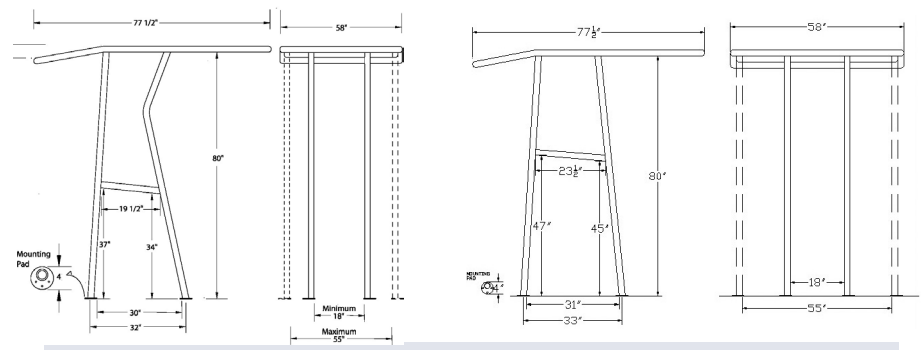
Trampoline T-Top

Each "Trampoline" T-Top is built around a high strength welded frame of schedule 40 marine grade aluminum pipe nearly 2" in dia. (just like the super tramp) finished in durable salt water resistant bright clear anodizing. The 56" x 77" sunshade comfortably covers the console area of most boats 16' to 25' yet weighs less than 75 lbs. Four legs (with offset bases to allow snug fit to console) mount to the deck. Two Delrin™ standoffs, one on each side of the console can be trimmed to the exact length needed and secured with supplied backing plates. Wiring may be concealed inside the frame. The "Trampoline" T-top sunshade's downward angled leading edge helps push wind up and over the top when running and trailering. Nothing else to buy, just choose your "Trampoline" color.

- TIG Welded Anodized Aluminum nearly 2" diameter
- Legs fit snugly to consoles 20" - 55" wide
- All hardware, bolts and backing plates included
- Choice of 4 colors
- Optional 4 Rod Rocket Launcher



For Tech Specs visit www.atlantic-towers.com



Model	Description
TTS5152/55	Top size 56" (1.47m) wide, 77" (1.96m) long; Fits consoles to 55" (1.39m) wide includes all mounting hardware for normal installation. 80" (2.03m) high
TTS5152/55GR	As above with welded 4-rod rocket launcher assembly - gold
TTS5354/55	Special leg configuration to accommodate center consoles with large side access door to head compartment
TTS5354/55GR	As above with welded 4-rod rocket launcher assembly - gold
TTS56*	Black Fabric Top
TTS57*	White Fabric Top
TTS58*	Green Fabric Top
TTS59*	Blue Fabric Top
KIT21	Pair of mounting strips for supporting electronics box, radar, or "thru fabric" mounting of other antennas. (Sold in pairs)
TTS6162/55	Trampoline T-top with Special leg configuration for Rigid Inflatable Boats (See www.atlantic-towers.com for tech specs)

Super Trampoline T-Top

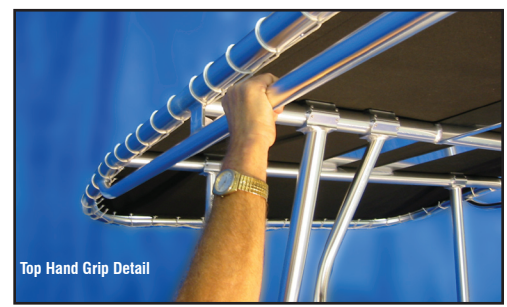
This is a big beefy structure for larger boats 24' and up. The sunshade is a generous 66" wide by 90" long with full port and starboard side handrails and double "torsion bar" stiffeners. The legs incorporate one piece adjust to any width console. Four offset bases allowing a snug fit to console and a pair of Delrin standoffs complete the installation on most boats. For boats with head compartments, available wide based legs allow installation around console side doors. No extra brackets or fittings to buy. Radar mount and box mounts standard. Everything needed for a standard installation is included along with a weather resistant acrylic fabric top in your choice of 4 colors.



Optional Rocket Launchers



Side Hand Grip Detail



Top Hand Grip Detail

Model	Description
TTS7172/75	Top size 66" wide, 90" long; Fits consoles to 58" wide, includes all mounting hardware for normal installation
TTS7172/75GR	As above with welded 6-rod rocket launcher assembly - gold
TTS7374/75	As above, but Special leg configuration to accommodate center consoles with large side access door to head compartment
TTS7374/75GR	As above with welded 6-rod rocket launcher assembly - gold
TTS56	Black Fabric Top
TTS57	White Fabric Top
TTS58	Green Fabric Top
TTS59	Blue Fabric Top

Arches

Fishing Arch

including rocket launcher

A "must have" accessory for walkaround and express style boats to 26' or 8'6" beam the Atlantic Towers Fishing Arch weighs less than 60 lbs. and is designed to fit over and around your existing fabric top and side curtains. A support for your antennas and gear, it's also a hand hold when boarding or moving forward on the side decks. The fully welded port and starboard sections telescope into the center radar bridge. Wiring can be concealed inside arch and beefy mounting hardware allows removal for winter storage. Three different radar bridge sizes cover mounting widths from 54" to 96".

- TIG Welded Anodized Aluminum Pipe Nearly 2" Diameter
- Four Anodized Gold Rod Holders included
- Mounting Plate for Radar, plus up to Six Antennas
- All hardware, backing plates and mounting bolts included
- Included Video covers Installation and Rigging



For Tech Specs visit www.atlantic-towers.com

Model	Description
A252/53	Standard Fishing Arch with 4 Gold Rod Holders, includes all mounting hardware for normal installation
A250/51	Standard Fishing Arch without Rod Holders, includes all mounting hardware for normal installation
ASF244*	Radar bridge min 54" (1.37m)/max 72" (1.83m)
ASF245*	Radar bridge min 68" (1.73m)/max 84" (2.13m)
ASF246*	Radar bridge min 80" (2.03m)/max 96" (2.44m)
KIT2.2	Hinge Kit with quick release pins, allows arch to fold, (must be ordered with arch, not available separately)

Radar Arch

including truss reinforcements

The Atlantic Towers Radar Arch is designed to fit around existing canvas bimini and navy style tops. Unique telescoping design in three size ranges allows adjustment to fit most flybridge boats to 45' and height may be trimmed to fit express boats to 40'. The Radar Arch will not interfere with most side curtains windshield covers or cockpit covers and has the strength plus the appearance of a custom welded unit when installed. It will easily support the weight of two persons while installing equipment, yet weighs less than 100 pounds.

- TIG Welded Anodized Aluminum Pipe Nearly 2" in Dia.
- Internal reinforcement at stress points
- Included video covers installation and rigging
- Three pipe construction with gusseted Reinforcing Truss 1 1/4" in Dia.
- Handles large open array radar, plus more on Four 4" x 12" plates
- All Hardware, backing plates and mounting bolts included



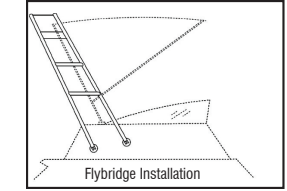
For Tech Specs visit www.atlantic-towers.com



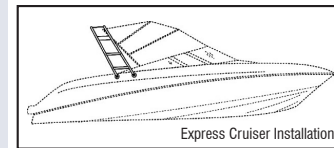
Options for Fishing and Radar Arch



Combo Anchor / Running Light



Model	Description
A262/63	Standard Radar Arch includes all mounting hardware for normal installation
ASR244	Radar bridge min 88" (2.16m) / max 100" (2.54m)
ASR245	Radar bridge min 92" (2.33m) / max 112" (2.84m)
ASR246	Radar bridge min 104" (2.16m) / max 123" (3.15m)
KIT2.2	Hinge Kit with quick release pins, allows arch to fold, can be installed to fold forward or aft (not both) (must be ordered with arch, not available separately)



The Standard Radar Arch is designed to fit a wide variety of boats both Flybridge and Express configurations. It can even be gunnel mounted on center console boats. The Standard Radar Arch adjusts through a beam width mounting range of 85" out to a maximum of 123" The overall height can be adjusted by trimming the legs before installing the base fittings.