



# **vetus** MAXWELL

## Maxwell Now Offers Two Types of Anchors!

In order to offer you the highest quality and most complete anchoring package solution, Maxwell has introduced two types of anchors, the MAXSET and MAXCLAW. These anchors, available in high grade galvanised steel or all stainless steel, compliment the wide variety of windlasses and capstans available from Maxwell. Both anchors are thoroughly tested by Maxwell engineers, assuring you of safe anchoring in a variety of situations.

### **MAXSET**

The “MAXSET” galvanised and stainless steel anchor range is based on the proven ‘Plough’ design. One of the most popular anchor designs, the plough concept dates back several decades and has been proven all over the world. The high holding power characteristics of this design make the MAXSET anchor an ideal all purpose anchor in a wide variety of weather and seabed conditions.

The anchor is available in four different sizes to suit boats from approximately 4 m (15 ft) to 14 m (45 ft).

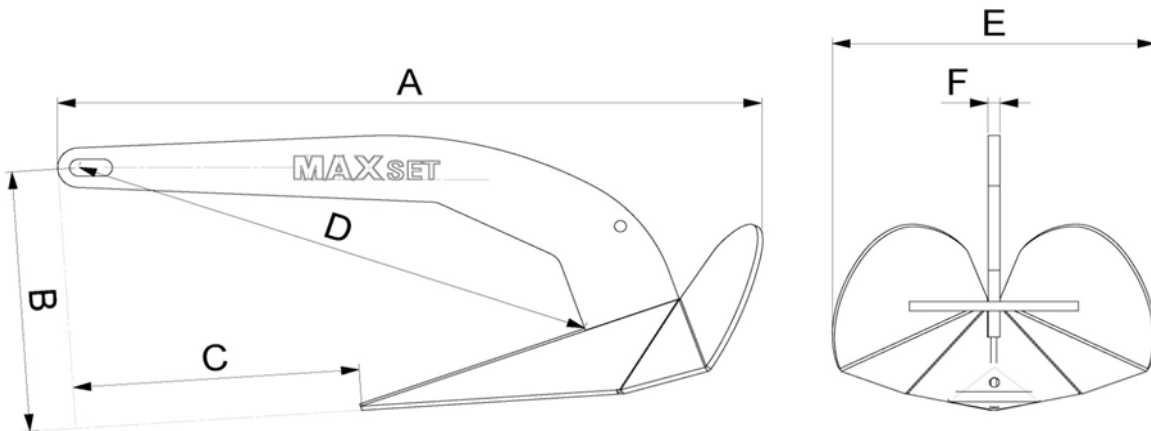


Product code	Weight	Suits approximate boat length	Catalogue page
MAXSET6/MAXSETS6	6 kg (13 lb)	4 - 5.5 m (15 - 18 ft)	289
MAXSET10/MAXSETS10	10 kg (22 lb)	5.5 - 8 m (18 - 26 ft)	289
MAXSET16/MAXSETS16	16 kg (35 lb)	9 - 11 m (30 - 35 ft)	289
MAXSET20/MAXSETS20	20 kg (44 lb)	12 - 14 m (38 - 45 ft)	289



# VETUS MAXWELL

Anchor type	Weight of the anchor*	Dimensions in mm					
		A	B	C	D	E	F
MAXSET6 / MAXSETS6	6Kg (13lb)	24 13/32	9 1/16	9 21/32	18 ½	10 5/16	25/64
MAXSET10 / MAXSETS10	10Kg (22lb)	28 ¾	10 53/64	15 3/16	21 ¼	12 13/32	15/32
MAXSET16 / MAXSETS16	16Kg (35lb)	32 9/32	12 13/32	12 51/64	24 13/16	13 25/64	9/16
MAXSET20 / MAXSETS20	20Kg (44lb)	35 1/32	13 1/16	13 31/32	26 25/32	15 ¾	5/8



Please refer to page 289 of the 2013 VETUS catalogue for more information regarding the most suitable bow roller for use with each anchor.

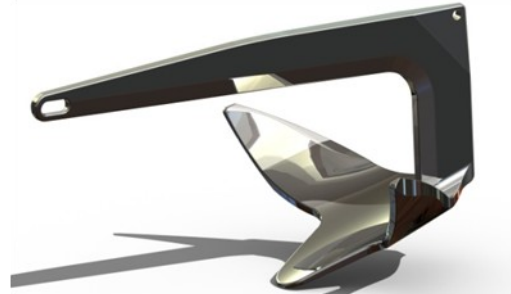
## MAXCLAW

The “MAXCLAWS’ Stainless Steel (AISI 316) anchor range is based on the proven ‘North Sea’ claw design concept. The MAXCLAW sets extremely fast and buries into sand and mud bottoms with tremendous holding power, as well as holding well in most other sea bed conditions. An all round great anchor that doesn’t break out with tide or wind changes on sandy or muddy bottoms; instead will slowly turning, to align with the force, and resetting itself.

The anchor is available in seven different sizes to suit boats from approximately 4 m (12 ft) to 18 m (58 ft).



# VETUS MAXWELL



Product code	Weight	Suits approximate boat length	Catalogue page
MAXCLAWS5	5 kg (10 lb)	4 – 6 m (12 – 18 ft.)	289
MAXCLAWS8	8 kg (18 lb)	6 – 7 m (19 – 22 ft.)	289
MAXCLAWS10	10 kg (22 lb)	7 – 8 m (22 – 26 ft.)	289
MAXCLAWS15	15 kg (33 lb)	9 – 12 m (29 – 38 ft.)	289
MAXCLAWS20	20 kg (44 lb)	12 – 14 m (38 – 45 ft.)	289
MAXCLAWS30	30 kg (66 lb)	14 – 16 m (45 – 52 ft.)	289
MAXCLAWS40	40 kg (88 lb)	16 – 18 m (52 – 58 ft.)	289

Please refer to page 289 of the 2013 VETUS catalogue for more information regarding the most suitable bow roller for use with each anchor.

Anchor type	Weight of the anchor*	Dimensions in mm				
		A	B	C	D	E
MAXCLAWS5	5 kg (10 lb)	18 ½	7 31/64	12 13/64	10 5/8	19/32- 45/64
MAXCLAWS8	8 kg (18 lb)	20 55/64	8 17/64	14 11/64	11 27/64	19/32- 45/64
MAXCLAWS10	10 kg (22 lb)	23 5/8	8 31/32	14 61/64	12 19/32	19/32- 45/64
MAXCLAWS15	15 kg (33 lb)	26 3/8	10 7/16	17 23/32	14 11/64	45/64- 45/64
MAXCLAWS20	20 kg (44 lb)	28 5/32	14 11/64	18 ½	15 23/64	19/32- 25/32
MAXCLAWS30	30 kg (66 lb)	32 3/32	16 47/64	21 21/32	18 7/64	45/64- 63/64
MAXCLAWS40	40 kg (88 lb)	39 3/8	17 21/64	26 37/64	19 11/16	45/64- 1 3/16



# **Vetus** MAXWELL



## MAXWELL MAXSET SS ANCHORS

	Size	List
MAXSETS6	Anchor SS 316L 6kg (13lb)	\$389.11
MAXSETS10	Anchor SS 316L 10kg (22lb)	\$622.58
MAXSETS16	Anchor SS 316L 16kg (35lb)	\$997.96
MAXSETS20	Anchor SS 316L 20kg (44lb)	\$1,245.16

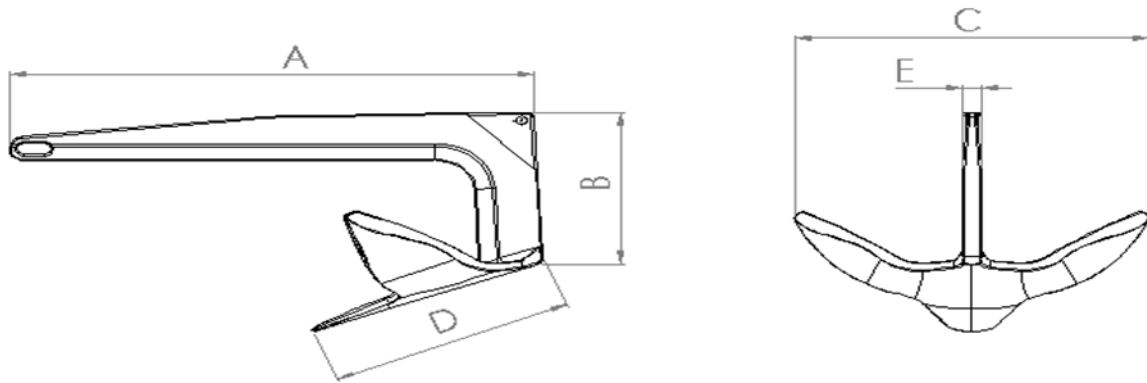


## MAXWELL MAXSET GALVANISED ANCHORS

	Size	List
MAXSET6	Anchor Galv 6kg (13lb)	\$128.00
MAXSET10	Anchor Galv 10kg (22lb)	\$182.50
MAXSET16	Anchor Galv 16kg (35lb)	\$256.50
MAXSET20	Anchor Galv 20kg (44lb)	\$337.25



# **vetus** MAXWELL



## **Maxwell**

When it comes to anchoring, Maxwell provides the ultimate anchoring solution backed by sound advice and after sales service. A full range of anchoring accessory items is available. Please contact your nearest Maxwell office or local distributor for helpful advice and assistance.

## **VETUS**

Developing innovative systems for your boat is truly what VETUS is about. VETUS invents and develops systems consisting of a wide range of products to keep your boat in an excellent technical condition.

For almost 50 years VETUS has been one of the world's leading companies when it comes to innovative products for pleasure craft and small commercial vessels. Not for nothing is the VETUS catalogue regularly consulted by engineers and designers from leading yacht builders and used as educational material in marine training establishments.

## **3 Year Warranty: Unique in the market!**

All VETUS and Maxwell products come with a 3 year warranty. Because of our long experience, careful choice of materials and stringent quality controls, we have the confidence to offer this extensive warranty. For advice, installation and service you can always rely on our world-wide network of VETUS and Maxwell dealers.