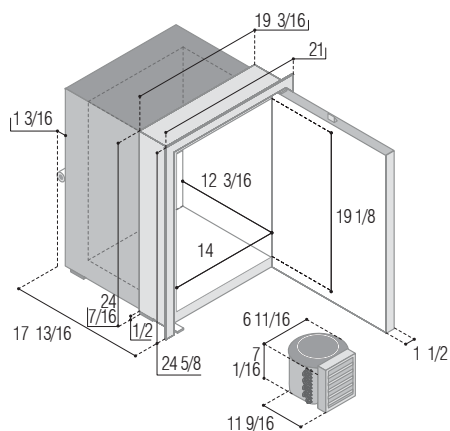


## C55RXN4-F

Total volume - Capacité total - Capacidad total	1.8 Cu. Ft.	
Net Weight - Poids net - Peso neto	50.7 lbs.	
Power supply	12/24 Vdc	
Alimentation	100-240 Vac 50/60 Hz	
Alimentación	100-240 Vac 50/60 Hz	
Nominal consumption	12 Vdc	115 Vac 60 Hz
Consommation nominale	38 W (3.18 A)	38 W (0.51 A)
Consumo nominal	38 W (3.18 A)	38 W (0.51 A)



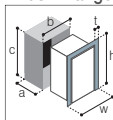
## C55RBN4-F

Total volume - Capacité total - Capacidad total	1.8 Cu. Ft.	
Net Weight - Poids net - Peso neto	60 lbs.	
Power supply	12/24 Vdc	
Alimentation	100-240 Vac 50/60 Hz	
Alimentación	100-240 Vac 50/60 Hz	
Nominal consumption	12 Vdc	115 Vac 60 Hz
Consommation nominale	38 W (3.18 A)	38 W (0.51 A)
Consumo nominal	38 W (3.18 A)	38 W (0.51 A)

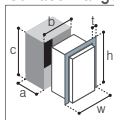
Mounting flange  
Cadre de fixation  
Perfil de fijación

t: 1  
w: 21  
h: 25 15/16

Flush Flange



Surface Flange



Built-in  
Compartiment encastré  
Alojamiento empotrado

a: 17 7/8	a: 16 1/4
b: 19 1/8	b: 19 1/8
c: 24 1/2	c: 24 1/2

