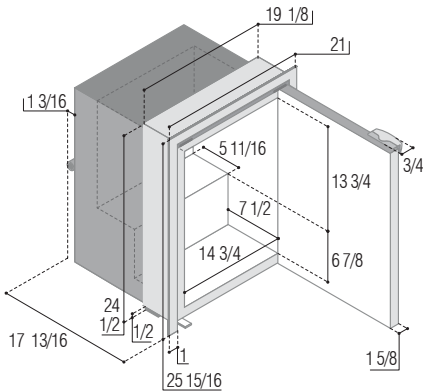


# C60IBD4-F

# Refrigerators and freezers with built-in cooling unit

<b>Total volume</b> Capacité totale - Capacidad totale	2.1 Cu. Ft.
<b>Freezer compartment</b> Compartiment freezer - Congelador	0.4 Cu. Ft.
<b>Net weight</b> Poids net - Peso neto	46.7 Lbs.
<b>Power supply and nominal consumption</b> Alimentation et consommation nominale - Alimentación y consumo nominal	
12/24 Vdc	100-240 Vac 50/60 Hz
<b>12 Vdc</b>	<b>115 Vac 60 Hz</b>
40 W (3.38 A)	40 W (0.53 A)



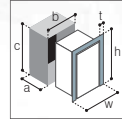
Available as  
Disponible en version - Disponible en version



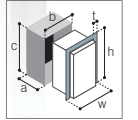
Mounting flange  
Cadre de fixation  
Perfil de fijación

t: 1  
w: 21  
h: 25 15/16

**Flush Flange**



**Surface Flange**



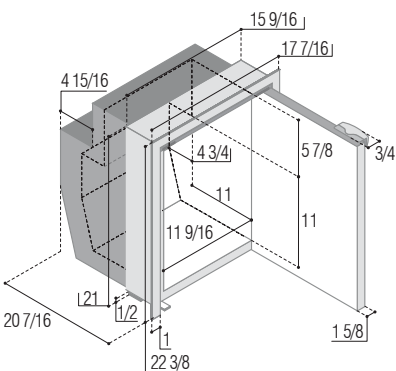
Built-in  
Compartiment encastrement  
Alojamiento empotrado

a: 17 13/16  
b: 19 1/8  
c: 24 1/2

a: 16 1/8  
b: 19 1/8  
c: 24 1/2

# C51IBD4-F

<b>Total volume</b> Capacité totale - Capacidad totale	1.8 Cu. Ft.
<b>Freezer compartment</b> Compartiment freezer - Congelador	0.1 Cu. Ft.
<b>Net weight</b> Poids net - Peso neto	39.7 Lbs.
<b>Power supply and nominal consumption</b> Alimentation et consommation nominale - Alimentación y consumo nominal	
12/24 Vdc	100-240 Vac 50/60 Hz
<b>12 Vdc</b>	<b>115 Vac 60 Hz</b>
40 W (3.38 A)	40 W (0.53 A)



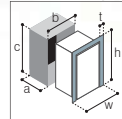
Only available as  
Seulement disponible en  
Solo disponible como



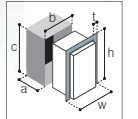
Mounting flange  
Cadre de fixation  
Perfil de fijación

t: 1  
w: 17 7/16  
h: 22 3/8

**Flush Flange**



**Surface Flange**



Built-in  
Compartiment encastrement  
Alojamiento empotrado

a: 20 7/16  
b: 15 9/16  
c: 21

a: 18 3/4  
b: 15 9/16  
c: 21