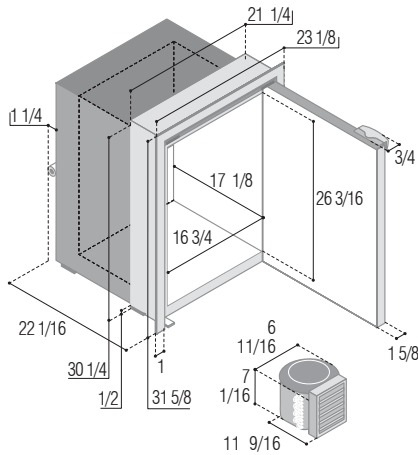


# C130RBD4-F

# Refrigerators and freezers with remote cooling unit

<b>Total volume</b> Capacité total - Capacidad total	4.7 Cu. Ft.
<b>Freezer compartment</b> Compartment freezer - Congelador	0.6 Cu. Ft.
<b>Net weight</b> Poids net - Peso neto	62.6 Lbs.
<b>Power supply and nominal consumption</b>	
Alimentation et consommation nominale - Alimentación y consumo nominal	
12/24 Vdc	100-240 Vac 50/60 Hz
<b>12 Vdc</b>	<b>115 Vac 60 Hz</b>
45 W (3.78 A)	45 W (0.57 A)



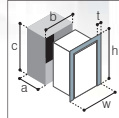
Available as  
Disponible en version - Disponible en version



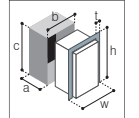
Mounting flange  
Cadre de fixation  
Perfil de fijación

t: 1  
w: 23 1/8  
h: 31 5/8

**Flush Flange**



**Surface Flange**



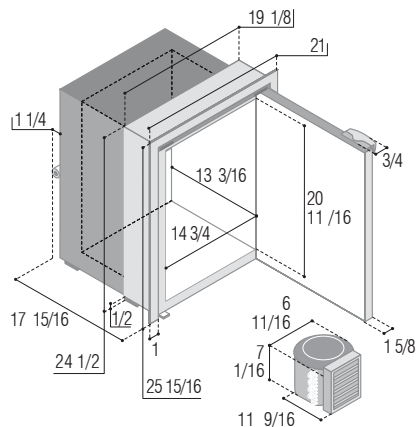
Built-in  
Compartment encastrement  
Alojamiento empotrado

a: 22 1/16  
b: 21 1/4  
c: 30 1/4

a: 20 3/8  
b: 21 1/4  
c: 30 1/4

# C75RBD4-F

<b>Total volume</b> Capacité total - Capacidad total	2.6 Cu. Ft.
<b>Freezer compartment</b> Compartment freezer - Congelador	0.4 Cu. Ft.
<b>Net weight</b> Poids net - Peso neto	46.7 Lbs.
<b>Power supply and nominal consumption</b>	
Alimentation et consommation nominale - Alimentación y consumo nominal	
12/24 Vdc	100-240 Vac 50/60 Hz
<b>12 Vdc</b>	<b>115 Vac 60 Hz</b>
40 W (3.38 A)	40 W (0.53 A)



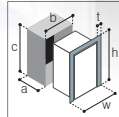
Available as  
Disponible en version - Disponible en version



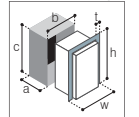
Mounting flange  
Cadre de fixation  
Perfil de fijación

t: 1  
w: 21  
h: 25 15/16

**Flush Flange**



**Surface Flange**



Built-in  
Compartment encastrement  
Alojamiento empotrado

a: 17 15/16  
b: 19 1/8  
c: 24 1/2

a: 16 1/4  
b: 19 1/8  
c: 24 1/2