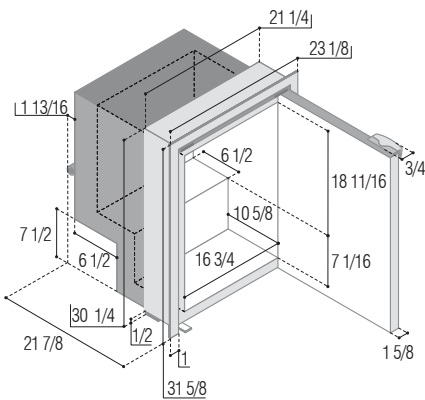


C115BD4-F

Total volume Capacité totale - Capacidad total	4.2 Cu. Ft.
Freezer compartment Compartment freezer - Congelador	0.6 Cu. Ft.
Net weight Poids net - Peso neto	55 Lbs.
Power supply and nominal consumption Alimentation et consommation nominale - Alimentación y consumo nominal	
12/24 Vdc 100-240 Vac 50/60 Hz	
12 Vdc	115 Vac 60 Hz
45 W (3.78 A)	45 W (0.57 A)



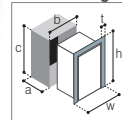
Available as
Disponible en version - Disponible en version



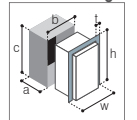
Mounting flange
Cadre de fixation
Perfil de fijación

t: 1
w: 23 1/8
h: 31 5/8

Flush Flange



Surface Flange



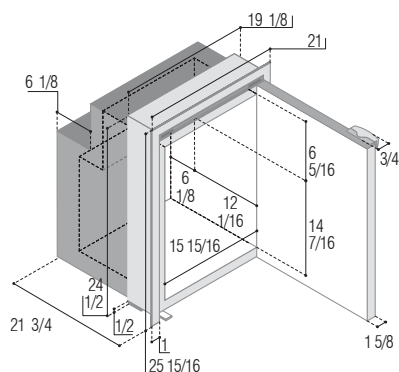
Built-in
Compartment encastrement
Alojamiento empotrado

a: 21 7/8
b: 21 1/4
c: 30 1/4

a: 20 3/16
b: 21 1/4
c: 30 1/4

C90IBD4-F

Total volume Capacité totale - Capacidad total	3.1 Cu. Ft.
Freezer compartment Compartment freezer - Congelador	0.3 Cu. Ft.
Net weight Poids net - Peso neto	51.8 Lbs.
Power supply and nominal consumption Alimentation et consommation nominale - Alimentación y consumo nominal	
12/24 Vdc 100-240 Vac 50/60 Hz	
12 Vdc	115 Vac 60 Hz
40 W (3.38 A)	40 W (0.53 A)



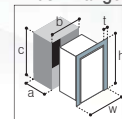
Only available as
Seulement disponible en
Solo disponible como



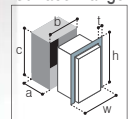
Mounting flange
Cadre de fixation
Perfil de fijación

t: 1
w: 21
h: 25 15/16

Flush Flange



Surface Flange



Built-in
Compartment encastrement
Alojamiento empotrado

a: 21 3/4
b: 19 1/8
c: 24 1/2

a: 20 1/16
b: 19 1/8
c: 24 1/2