

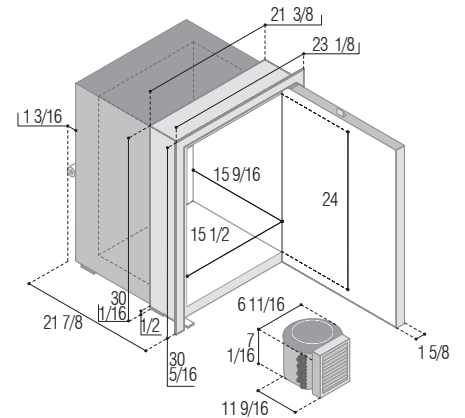
Congélateurs

Congeladores



C110RXN4-F

Total volume - Capacité total - Capacidad total	3.8 Cu. Ft.
Net Weight - Poids net - Peso neto	68.3 lbs.
Power supply Alimentation Alimentación	12/24 Vdc 100-240 Vac 50/60 Hz
Nominal consumption Consommation nominale Consumo nominal	12 Vdc 115 Vac 60 Hz 52 W (4.34 A) 52 W (0.64 A)



C110RBN4-F

Total volume - Capacité total - Capacidad total	3.8 Cu. Ft.
Net Weight - Poids net - Peso neto	78 lbs.
Power supply Alimentation Alimentación	12/24 Vdc 100-240 Vac 50/60 Hz
Nominal consumption Consommation nominale Consumo nominal	12 Vdc 115 Vac 60 Hz 52 W (4.34 A) 52 W (0.64 A)



Mounting flange Cadre de fixation Perfil de fijación	Flush Flange	Surface Flange
t: 1		
w: 23 1/8		
h: 31 5/8		
Built-in Compartment encastrement Alojamiento empotrado	a: 22 1/16 b: 21 1/4 c: 30 1/4	a: 20 3/8 b: 21 1/4 c: 30 1/4

